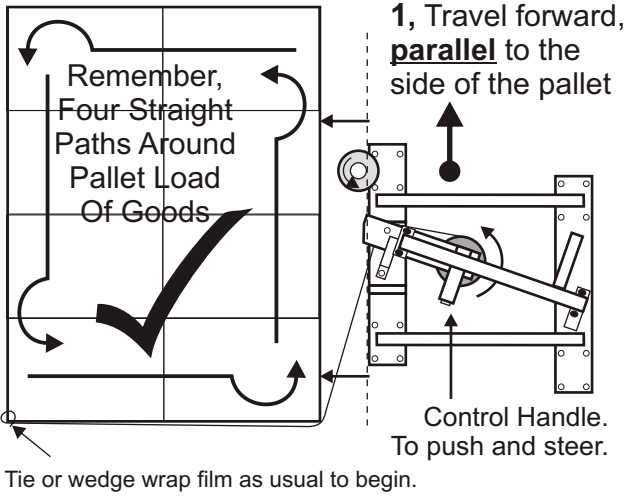


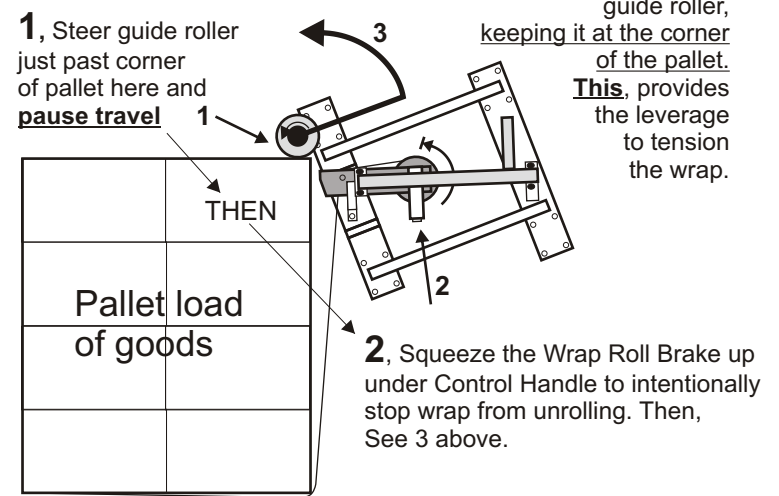
ROCHE WRAPPA INSTRUCTION FOR USE

One Hand Possible with practice, Two hands probable to begin!

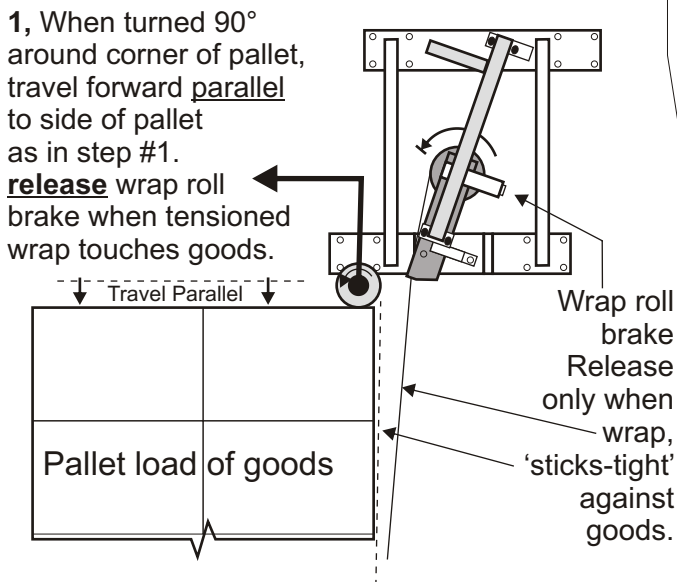
STEP 1 Travel



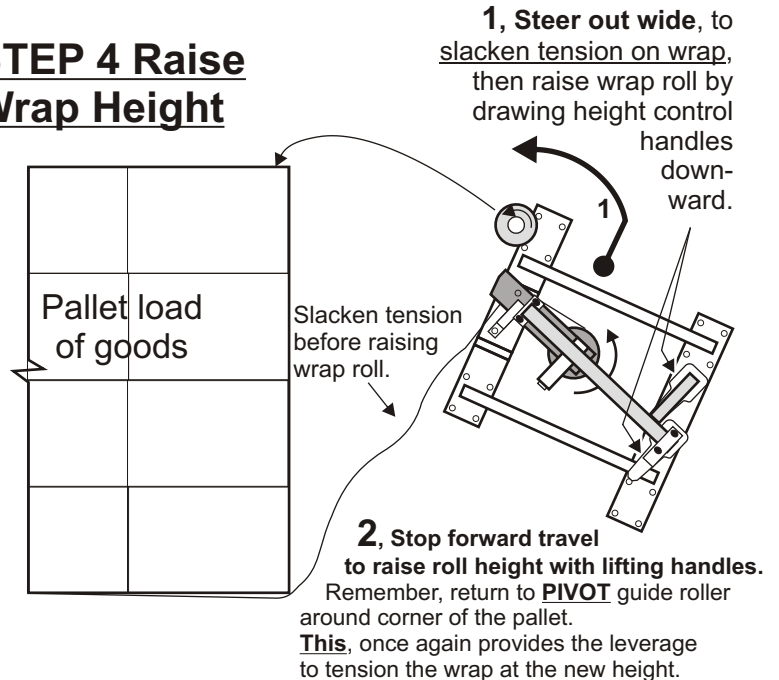
STEP 2 Pivot Point



STEP 3 Tension

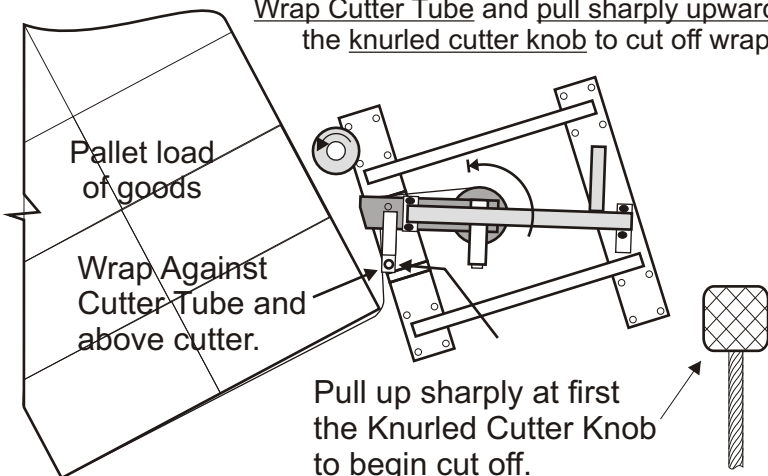


STEP 4 Raise Wrap Height



STEP 5 Cut Off

- 1, Steer guide roller around last corner of pallet and touch tensioned wrap against goods. Angle Wrappa so that film is tight **against Wrap Cutter Tube** and **pull sharply upward** the **knurled cutter knob** to cut off wrap.



WRAPPA PART NAMES

